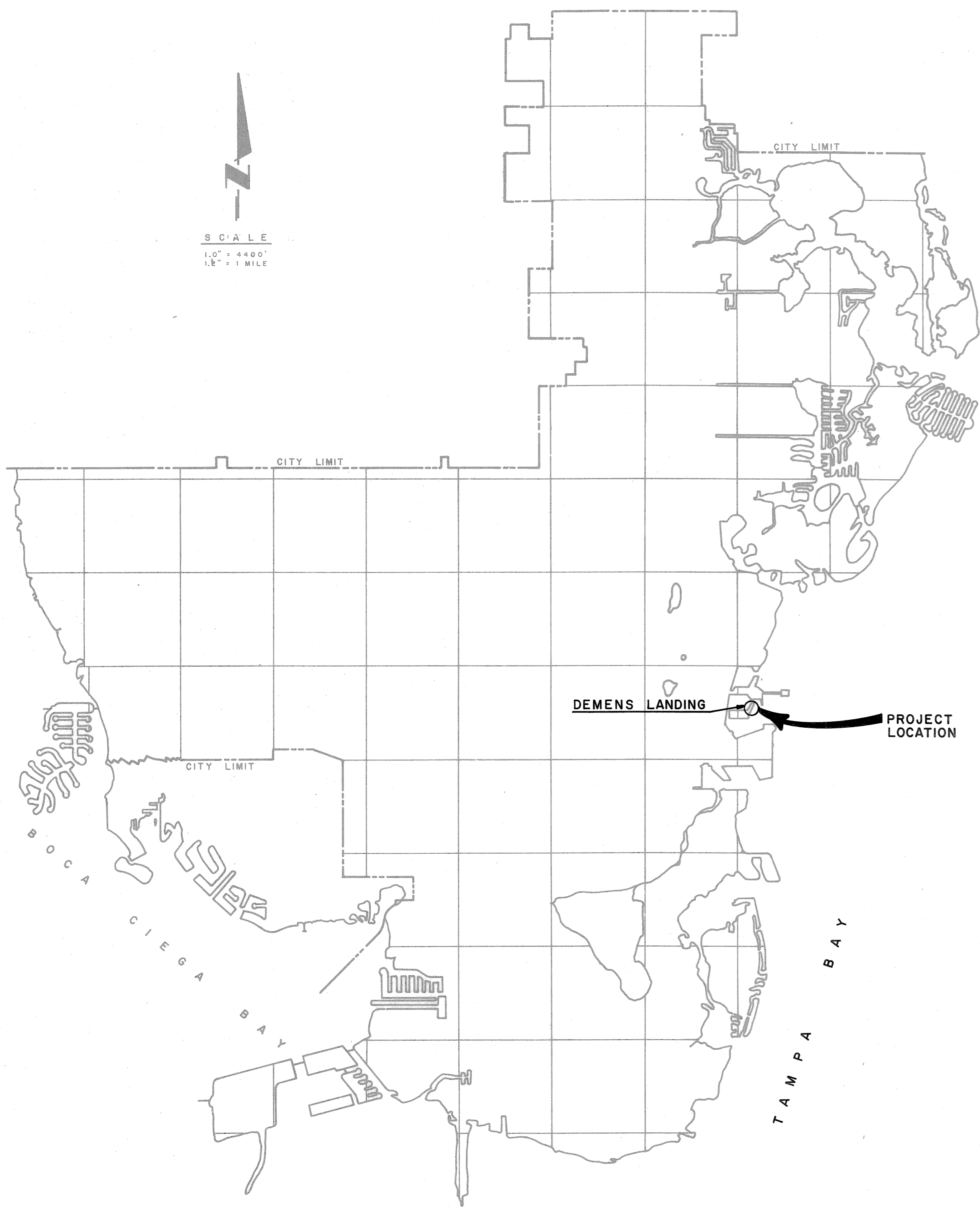


DEMENS LANDING - SHIP'S STORE Repairs to SEAWALL AND FUELING FACILITIES

City of St. Petersburg, Florida
Public Works Administration
Project Number 941300



Prepared by:



Dlouhy & Associates, Inc.
Consulting Engineers
3409 West Lemon Street Tampa, FL 33609

APPROVED BY:
[Signature]
ENGINEERING DIRECTOR

APPROVED BY:
[Signature]
MANAGER OF DESIGN

APPROVED BY:
[Signature]
PROJECT ENGINEER

D E P A R T M E N T O F E N G I N E E R I N G
C I T Y O F S T . P E T E R S B U R G , F L A .

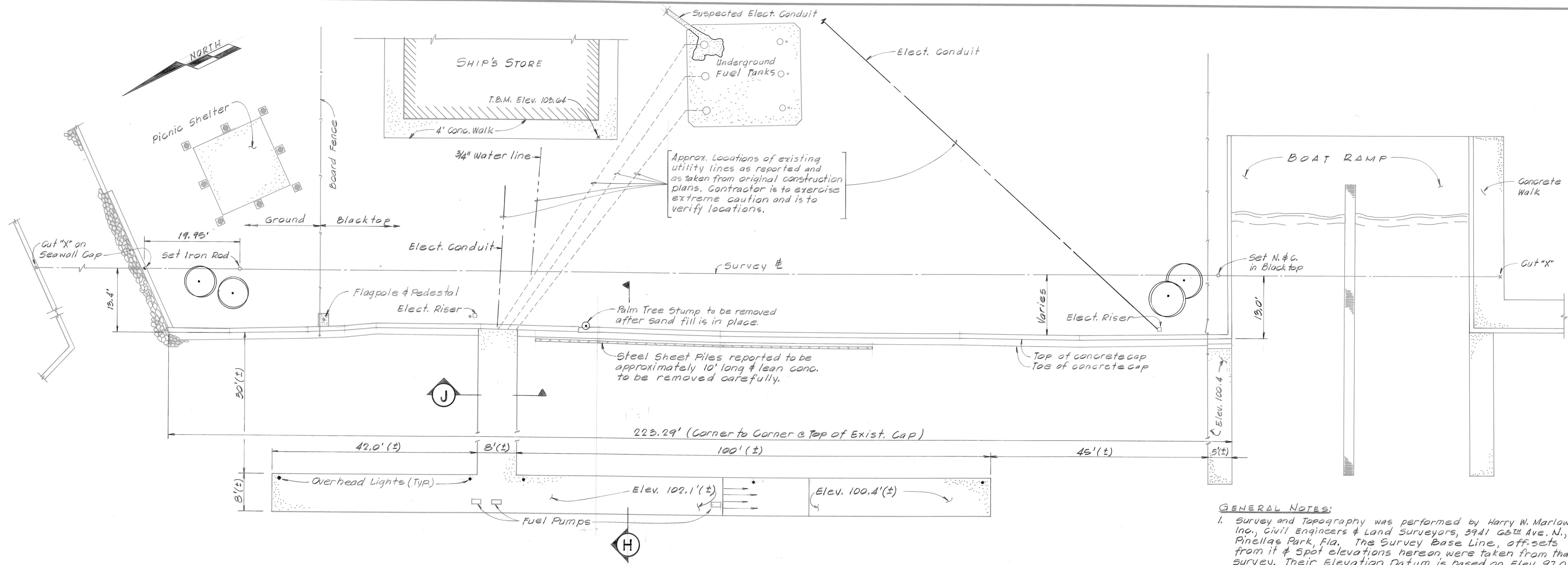
DATE: 4 - 30 - 85

DRAWING NO. 9372 - I

PROJECT NO. 8521.1

[Signature] DATE: *April 30, 1985*
ROBERT J. DLOUHY, P.E.
REGISTERED ENGINEER
STATE OF FLORIDA
CERTIFICATE NO. 12155

COPY NO. _____

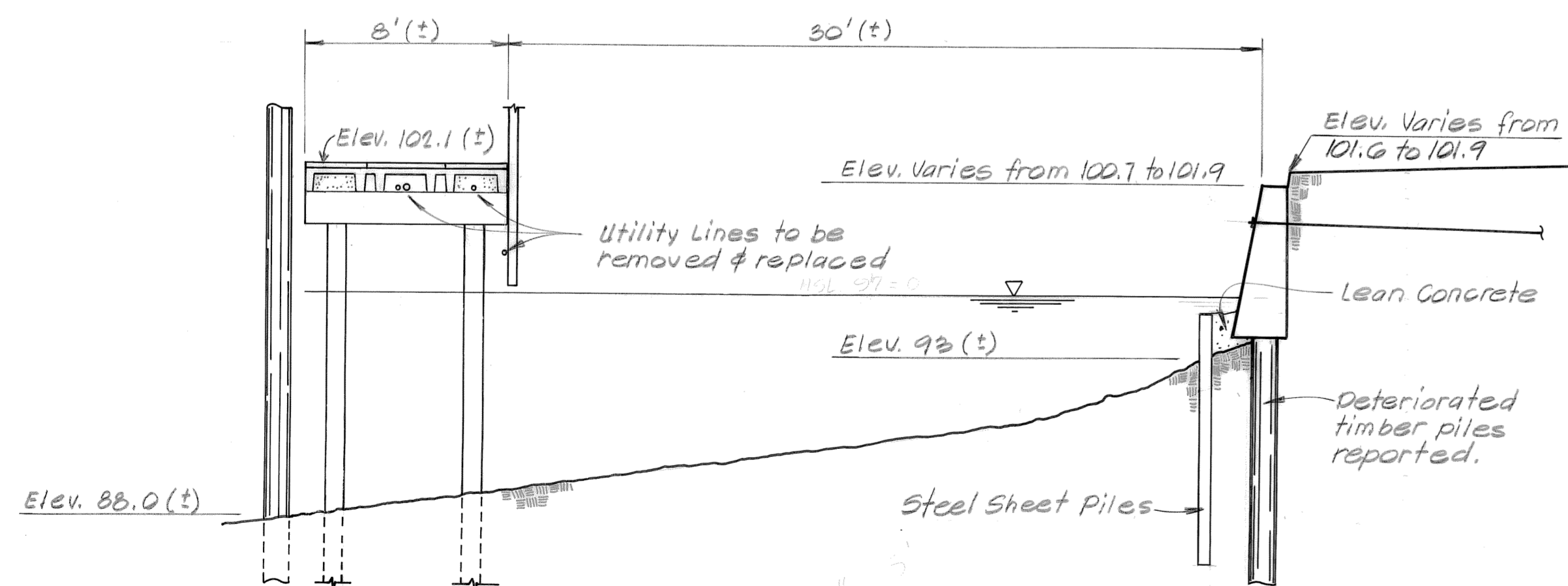


PLAN

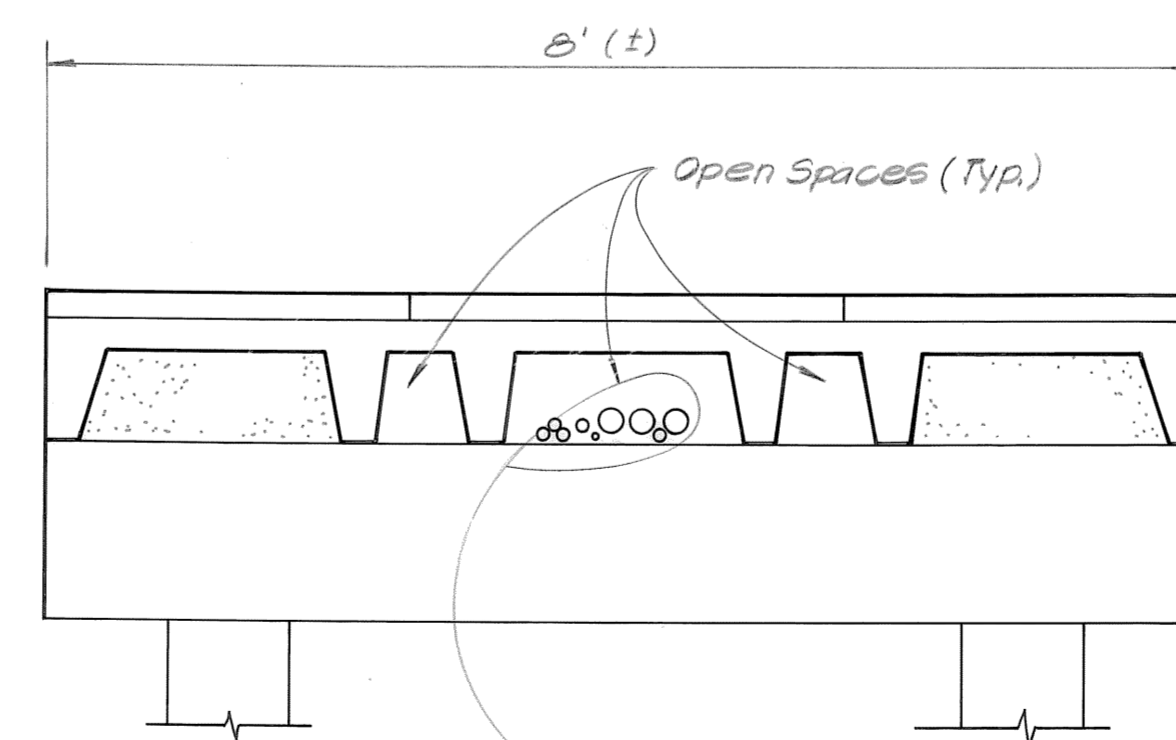
SC: 1" = approx. 10'

GENERAL NOTES:

1. Survey and Topography was performed by Harry W. Marlow, Inc., Civil Engineers & Land Surveyors, 3941 65th Ave. N., Pinellas Park, Fla. The Survey Base Line, off-sets from it & Spot elevations hereon were taken from that survey. Their Elevation Datum is based on Elev. 97.0 = 0.0 Mean Sea Level Datum.
2. Utilities, with the exception of sewer line, have been approximately located in PLAN. The contractor is to verify locations and coordinate removal and replacement with the utility companies and with the City.
3. Existing Fuel Supply to the dock pumps shall be maintained during construction.

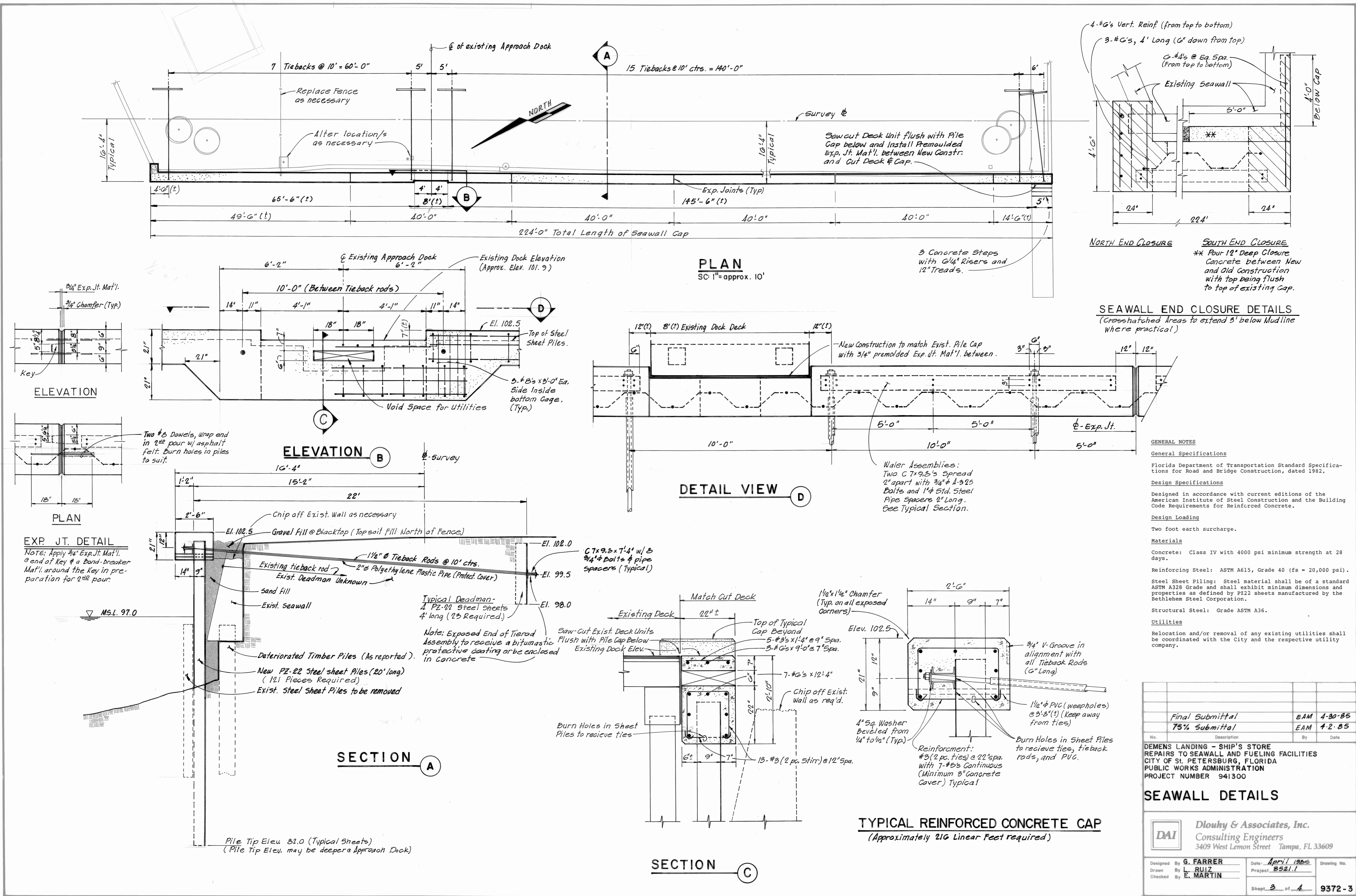


SECTION H



SECTION J

Final Submittal		EAM	4-30-85
No.	Description	By	Date
DEMENS LANDING - SHIP'S STORE REPAIRS TO SEAWALL AND FUELING FACILITIES CITY OF ST. PETERSBURG, FLORIDA PUBLIC WORKS ADMINISTRATION PROJECT NUMBER 941300			
SITE PLAN			
Dlouhy & Associates, Inc. Consulting Engineers 3409 West Lemon Street Tampa, FL 33609			
Designed By	E. MARTIN	Date	April 1985
Drawn By	L. RUIZ	Project	8521.1
Checked By	E. MARTIN		
Sheet 2 of 4			9372-2



GENERAL NOTES

General Specifications
Florida Department of Transportation Standard Specifications for Road and Bridge Construction, dated 1982.

Design Specifications
Designed in accordance with current editions of the American Institute of Steel Construction and the Building Code Requirements for Reinforced Concrete.

Design Loading
Two foot earth surcharge.

Materials
Concrete: Class IV with 4000 psi minimum strength at 28 days.
Reinforcing Steel: ASTM A615, Grade 40 (f_s = 20,000 psi).
Steel Sheet Piling: Steel material shall be of a standard ASTM A328 Grade and shall exhibit minimum dimensions and properties as defined by P222 sheets manufactured by the Bethlehem Steel Corporation.
Structural Steel: Grade ASTM A36.
Utilities
Relocation and/or removal of any existing utilities shall be coordinated with the City and the respective utility company.

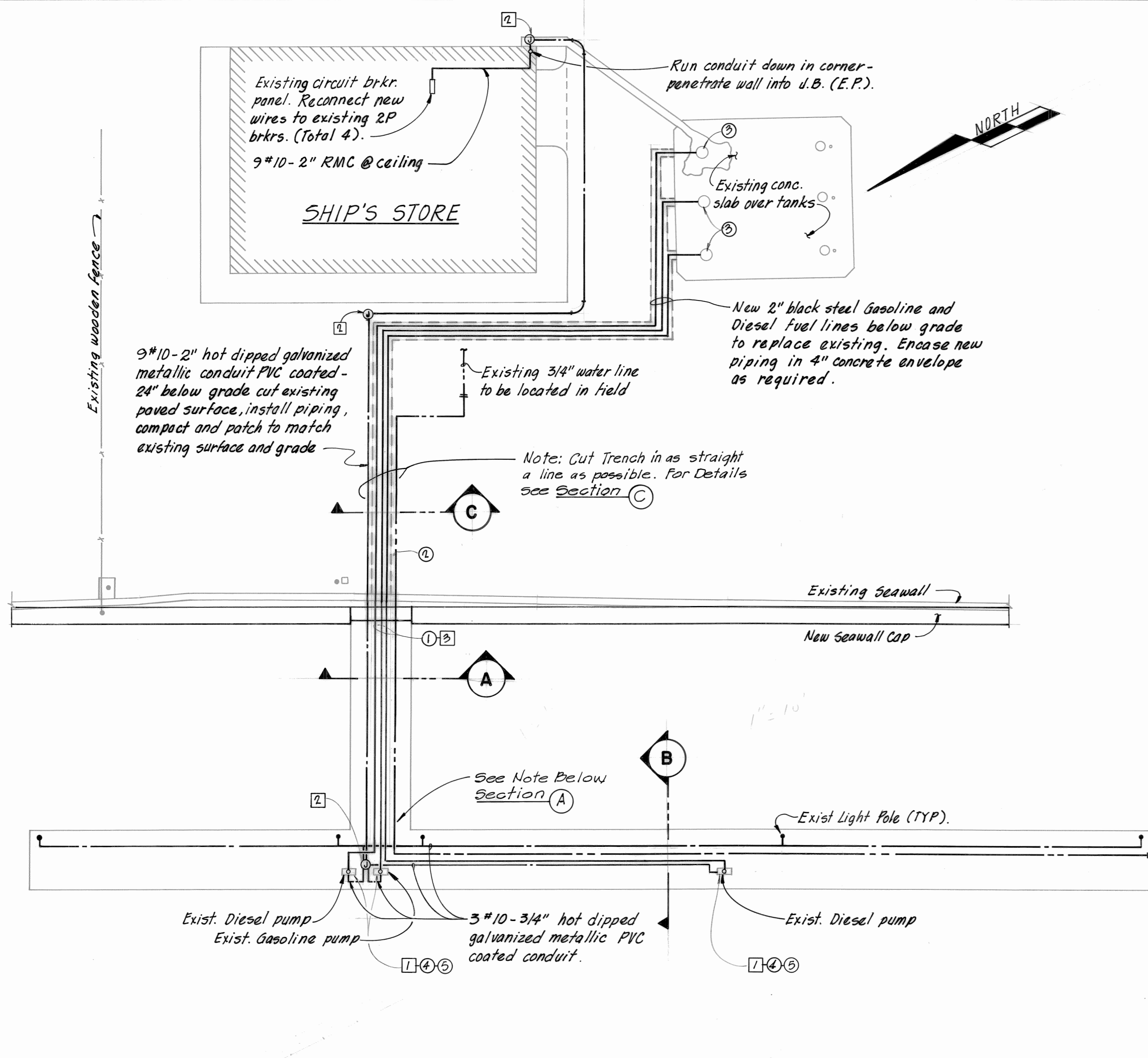
Final Submittal	EAM	4-30-85
75% Submittal	EAM	4-2-85
No.	Description	By Date

DEMENS LANDING - SHIP'S STORE
REPAIRS TO SEAWALL AND FUELING FACILITIES
CITY OF ST. PETERSBURG, FLORIDA
PUBLIC WORKS ADMINISTRATION
PROJECT NUMBER 941300

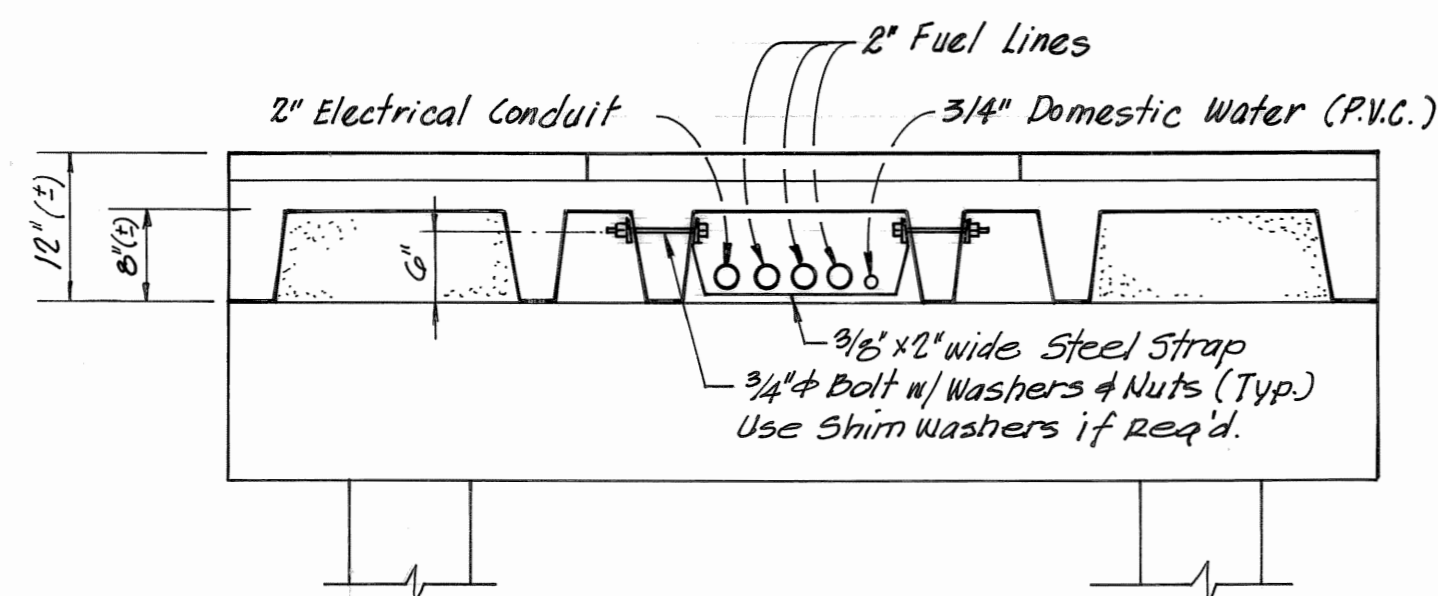
SEAWALL DETAILS

DAI **Dlouhy & Associates, Inc.**
Consulting Engineers
3409 West Lemon Street Tampa, FL 33609

Designed By	G. FARRER	Date	April 1985	Drawing No.
Drawn By	L. RUIZ	Project	8521.1	
Checked By	E. MARTIN			
Sheet 3 of 4			9372-3	



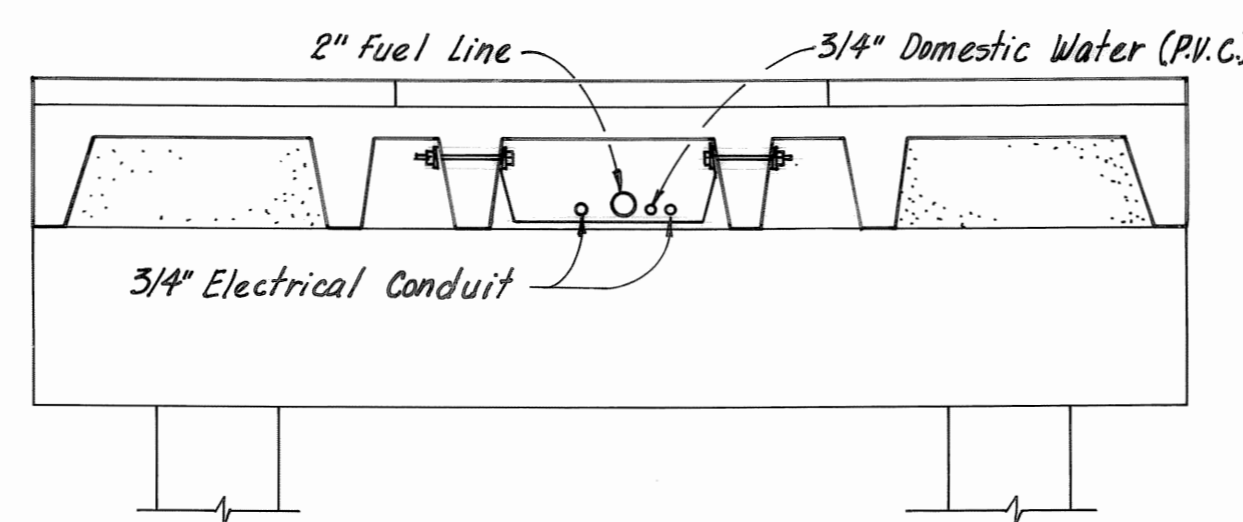
PLAN
SC: 1"=approx. 10'



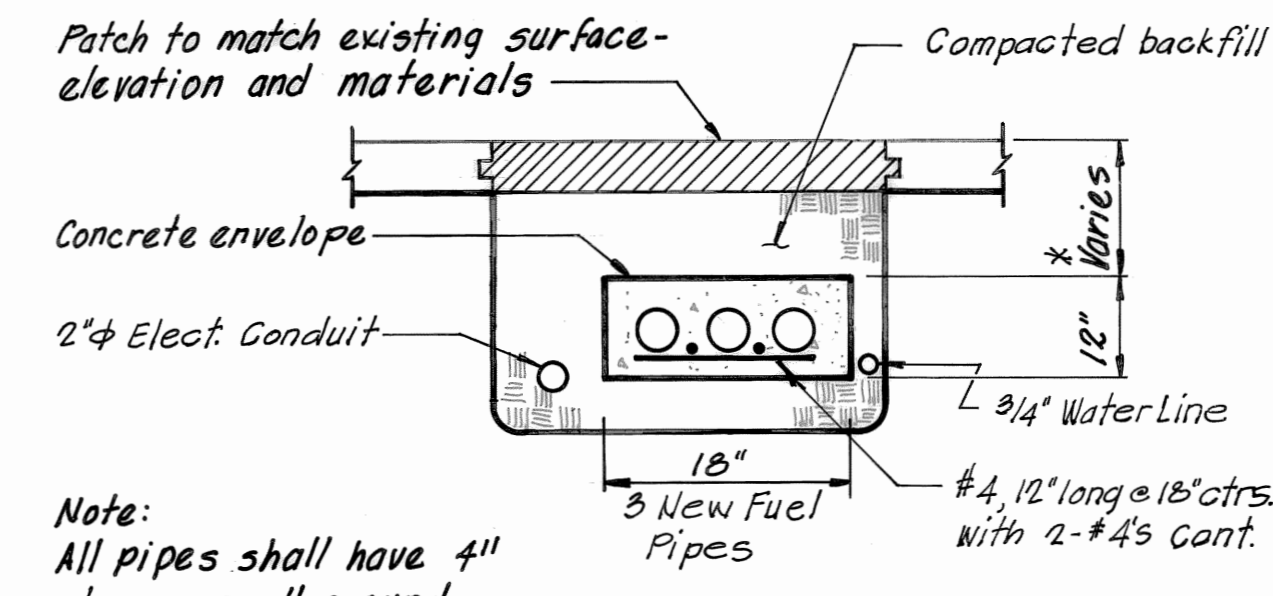
Note: Pipe hanger assembly shall be hot dipped Galv. Two hanger assemblies shall be installed at the 1/2 points in each span (Minimum).

SECTION A
SC: 3/4"=1'-0"

Note: All Utility lines shall be elbowed down and back up 12" (±) to bypass existing North-South concrete deck unit stems in all cases. DO NOT pass Utilities thru stems in any case or location.



SECTION B
SC: 3/4"=1'-0"



Note: All pipes shall have 4" clearance all around.

* Varies gradually from 4" (±) @ Deck to at least 12" away from Dock.

SECTION C
Not to scale

GENERAL NOTES:

1. Contractor shall exercise EXTREME CAUTION in demolition and replacement of Fuel Lines, and be in strict accordance with current Fire Code and all other construction codes.
2. Contractor shall remove and dispose of all demolition materials.

ELECTRICAL NOTES:

1. Connect new conduit # wires to existing fuel dispensing pump. Provide new explosion proof seal off fittings @ each pump (Total 3)
2. Junction Box - Explosion proof - Appleton "GR" Series with 1" # 3/4" Threaded outlets as required - See Plan.
3. Electrical Conduit across top of existing and thru new Seawall.

PLUMBING NOTES:

1. Three fuel lines and one Cold Water Line across top of existing seawall, and thru new seawall.
2. Connect new 3/4" P.V.C. Cold water line to existing below grade as required.
3. Connect new 1/2" Fuel Lines to existing underground Storage Tanks as required.
4. Connect new Fuel Lines to existing Fuel Pumps as required.
5. New Fuel Lines to be run to Fuel Pumps in existing holes in dock.

Final Submittal		EAM	4-30-85
75% Submittal		EAM	4-2-85
No.	Description	By	Date
DEMENS LANDING - SHIP'S STORE REPAIRS TO SEAWALL AND FUELING FACILITIES CITY OF ST. PETERSBURG, FLORIDA PUBLIC WORKS ADMINISTRATION PROJECT NUMBER 941300			
UTILITIES PLAN			
DAI Diouhy & Associates, Inc. Consulting Engineers 3409 West Lemon Street Tampa, FL 33609			
Designed By	E. MARTIN	Date:	April 1985
Drawn By	L. RUIZ	Project	88211
Checked By	E. MARTIN	Drawing No.	
Sheet 4 of 4		9372-4	